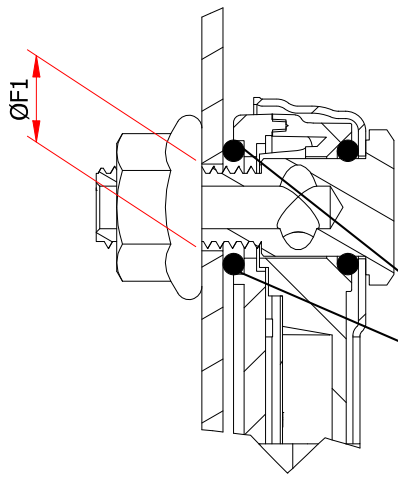


- 1 = Transparent main body
- 2 = Flanged hex nut
- 3 = Hollow bolt
- 4 = Metal shell



Special Executions

- **Model XL-T/CX** made from special resin resistant to fluid containing alcohol and anti-freeze liquids.
- **Model XL-T/RB** with floating red ball to improve the visibility of the fluid level of light colored liquids.
- **Model XL-T/PLAST:** external casing made from polyamide 66 30% fiberglass reinforced.
- **Model XL-T/OR** back seal provided through O-Ring in NBR synthetic rubber.
- **Model XL-T/V** with O-Ring seal made from FKM VITON®.

Code	I	H1	H2	F	E	A	L1	L2	ØF1	L3	Weight gr
XL/03	76	107	31	M10-M12	17.5	24.5	37		10.2-12.2	34	135
XL/03T	76	107	31	M10-M12	17.5	24.5		37	10.2-12.2	34	135
XL/05	127	158	31	M10-M12	17.5	24.5	73		10.2-12.2	85	187
XL/05T	127	158	31	M10-M12	17.5	24.5		78	10.2-12.2	85	187

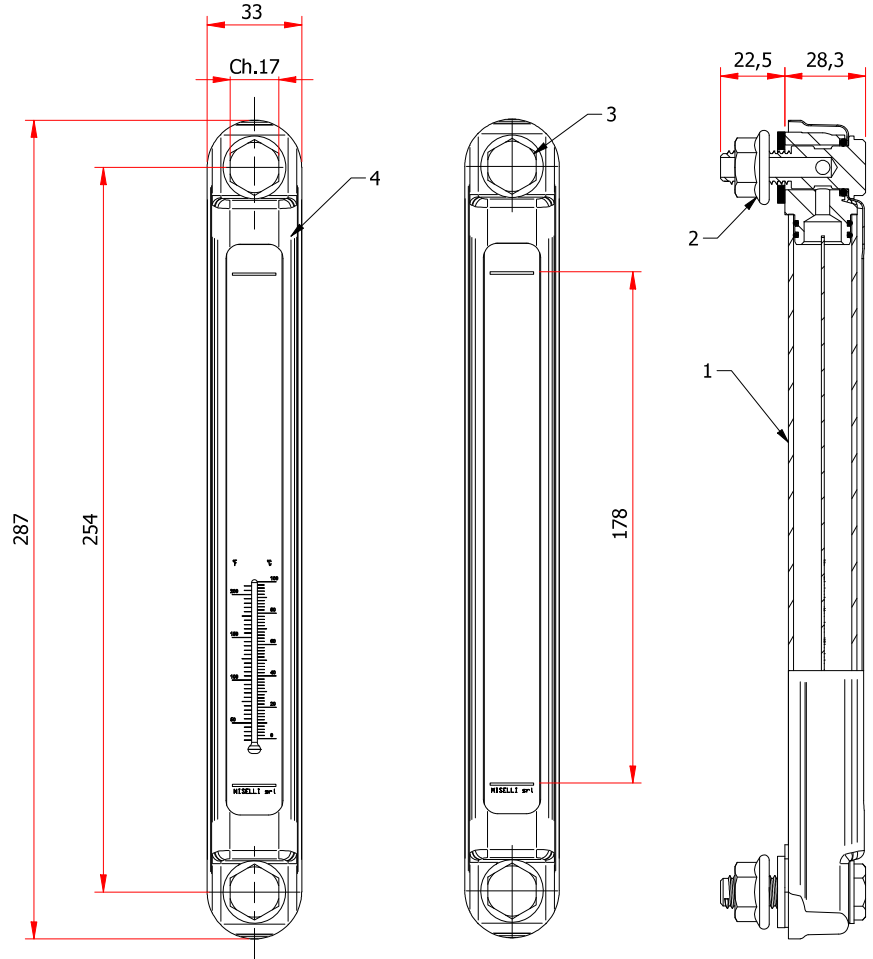
XL/10 - VERTICAL LEVEL GAUGES 10" WITH METAL CASING

XL/10T - VERTICAL LEVEL GAUGES 10" WITH METAL CASING AND THERMOMETER



XL/10

XL/10T



- 1 = Transparent tube
- 2 = Flanged Hex nut
- 3 = Hollow bolt
- 4 = Metal Shell

-Vertical level gauges, center-to-center distance 10" (254 mm).

-Transparent internal tube made from Polycarbonate (PC), compatible with mineral and synthetic oils, hydraulic fluids, fluids containing glycole; limited resistance to unleaded fuel and diesel.

- Max working temperature **90°C/194°F** (test made up to **1 bar/14,5 PSI** of pressure).

-External protection made in steel with black painted finishing.

The mounting of the level gauge can be made externally by providing 2 threaded holes M12 on 254 mm center distance, tolerance ± 0.2 . Alternatively they can be secured

internally through 2 plain holes 12.5 mm (-0.2). Max tightening torque suggested **3 Nm**.

-The model XLT is equipped with an internal thermometer scaled in degrees Celsius 0-100°C and Fahrenheit 50-200°F.

-For special applications or in the presence of aggressive liquids it is possible to supply the transparent tube made from **borosilicate glass**.

-Weight: 0,4 Kg.

-In case of use under pressure and/or temperature conditions other than those indicated or with specific fluids and/or chemical agents, contact the technical service Miselli srl.